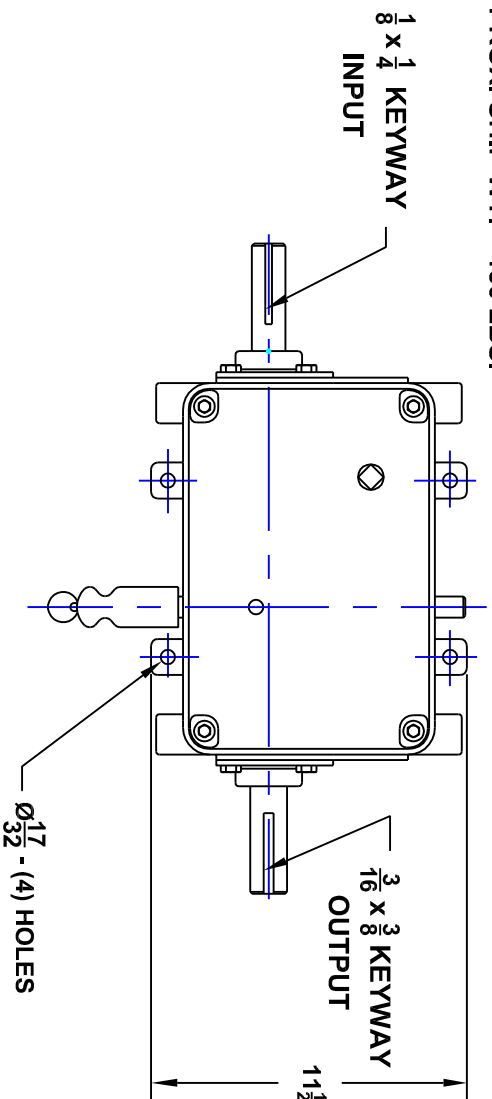


# F0500HD 4-SPEED GEARBOX [MANUAL SHIFT]

10 HP MAXIMUM  
 350 IN LBS MAXIMUM INPUT TORQUE  
 AT 1800 RPM INPUT  
 SERVICE CLASS ONE  
 APPROX. SHIP WT. = 130 LBS.

## RATIOS

1.000	1.824	3.039	4.012
-------	-------	-------	-------



CONTACT SALES REPRESENTATIVE @ 800-689-3400  
 \*\*CUSTOM RATIO & SHAFT DESIGN ARE AVAILABLE\*\*

- OVERHUNG LOAD CAN EFFECT HP RATING
- BI-DIRECTIONAL ROTATION
- INPUT AND OUTPUT SHAFTS ROTATE IN THE SAME DIRECTION
- AVAILABLE AS REDUCER OR INCREASER
- UNITS MUST BE STOPPED BEFORE SHIFTING

ONE YEAR LIMITED WARRANTY

