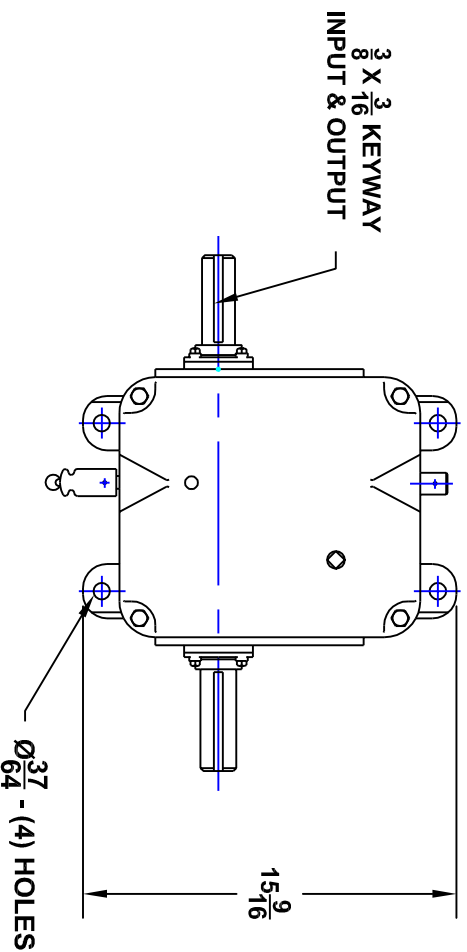


F0800STD 4-SPEED GEARBOX [MANUAL SHIFT]

20 HP MAXIMUM
700 IN LBS MAXIMUM INPUT TORQUE
AT 1800 RPM INPUT
SERVICE CLASS ONE
APPROX. SHIP WT. 225 LBS.



RATIOS			
1.000	1.686	3.092	6.398

CONTACT SALES REPRESENTATIVE @ 800-689-3400
CUSTOM RATIO & SHAFT DESIGN ARE AVAILABLE

- OVERHUNG LOAD CAN EFFECT HP RATING
- BI-DIRECTIONAL ROTATION
- INPUT AND OUTPUT SHAFTS ROTATE IN THE SAME DIRECTION
- AVAILABLE AS REDUCER OR INCREASER
- UNITS MUST BE STOPPED BEFORE SHIFTING

ONE YEAR LIMITED WARRANTY

