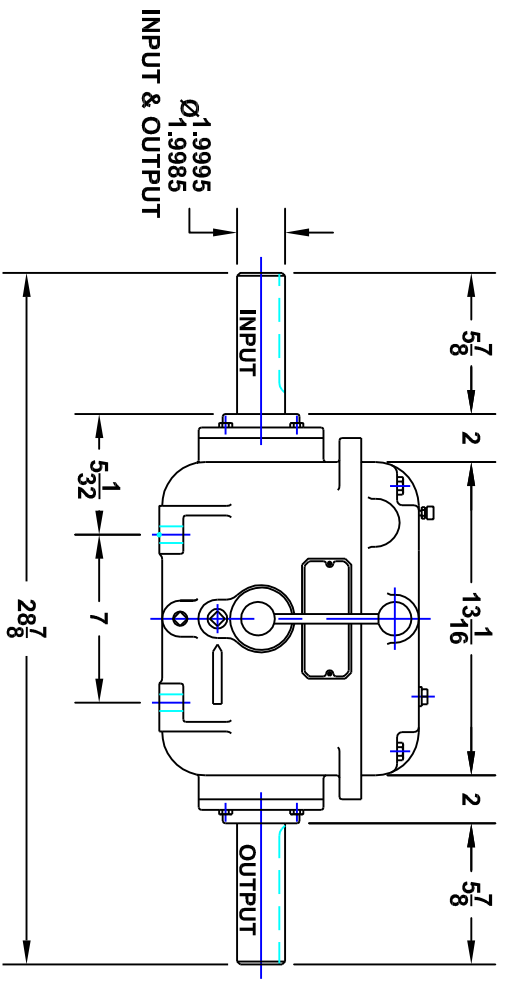
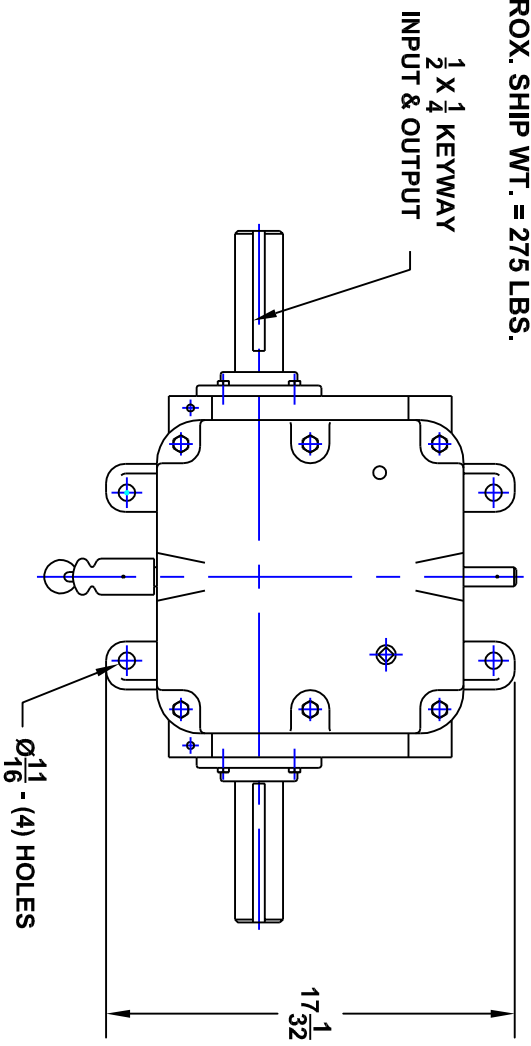


# F1050STD 4-SPEED GEARBOX [MANUAL SHIFT]

50 HP MAXIMUM  
 1750 IN LBS MAXIMUM INPUT TORQUE  
 AT 1800 RPM INPUT  
 SERVICE CLASS ONE  
 APPROX. SHIP WT. = 275 LBS.



RATIOS			
1.000	1.686	3.092	6.398

CONTACT SALES REPRESENTATIVE @ 800-689-3400  
 \*\*CUSTOM RATIO & SHAFT DESIGN ARE AVAILABLE\*\*

- OVERHUNG LOAD CAN EFFECT HP RATING
- BI-DIRECTIONAL ROTATION
- INPUT AND OUTPUT SHAFTS ROTATE IN THE SAME DIRECTION
- AVAILABLE AS A REDUCER OR INCREASER
- UNITS MUST BE STOPPED BEFORE SHIFTING

ONE YEAR LIMITED WARRANTY

