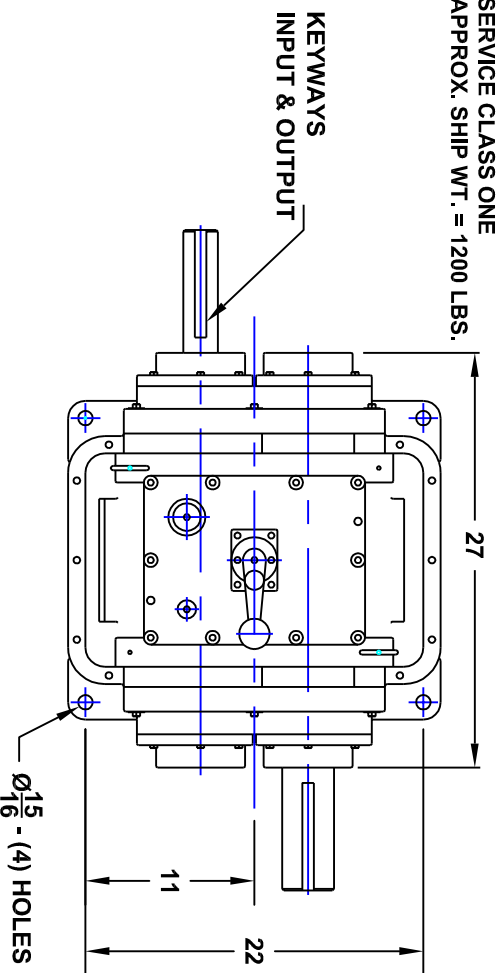


S0702 SERIES 1 OR 2 SPEED "HI TORQUE" GEARBOX [MANUAL SHIFT]

230 HP MAXIMUM
8000 IN. LBS. MAXIMUM INPUT TORQUE
AT 1800 RPM INPUT
SERVICE CLASS ONE
APPROX. SHIP WT. = 1200 LBS.



- CONTACT SALES REPRESENTATIVE @ 1-800-689-3400
ALL DAS SERIES UNITS ARE CUSTOM DESIGNED
- OVERHUNG LOAD CAN EFFECT HP RATING
 - SHAFT DESIGN CAN EFFECT HP RATING
 - B-DIRECTIONAL ROTATION
 - AVAILABLE AS A REDUCER OR INCREASER
 - INPUT AND OUTPUT SHAFTS ROTATE IN THE OPPOSITE DIRECTION
 - INPUT SHAFT CAN BE INSTALLED ON LEFT SIDE OF OUTPUT SHAFT (OPPOSITE ASSEMBLY)
 - UNITS MUST BE STOPPED BEFORE SHIFTING

ONE YEAR LIMITED WARRANTY

