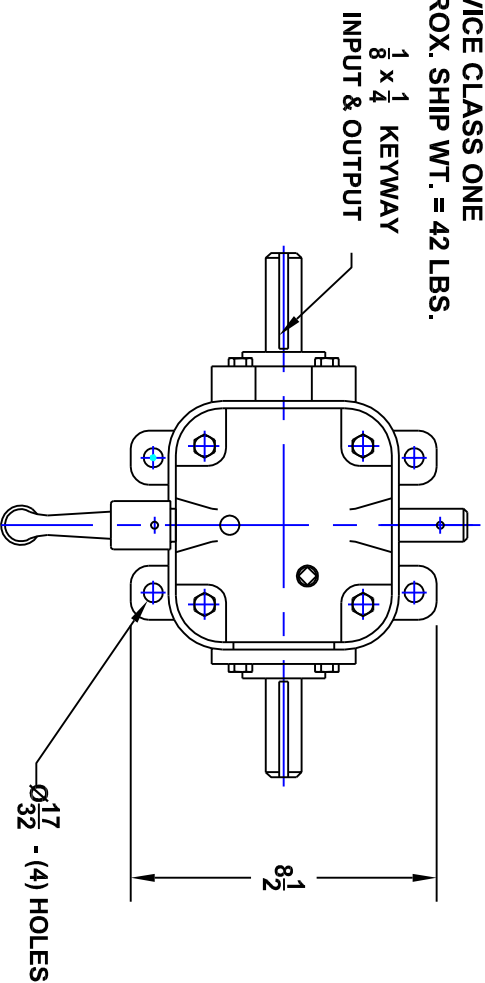


U0200-1391 4-SPEED GEARBOX [MANUAL SHIFT]

**2 HP MAXIMUM
70 IN LBS MAXIMUM INPUT TORQUE
AT 1800 RPM INPUT
SERVICE CLASS ONE
APPROX. SHIP WT. = 42 LBS.**



RATIOS			
1.000	2.000	4.000	6.000

**CONTACT SALES REPRESENTATIVE @ 800-689-3400
CUSTOM RATIO & SHAFT DESIGN ARE AVAILABLE**

- OVERHUNG LOAD CAN EFFECT HP RATING
- BI-DIRECTIONAL ROTATION
- INPUT AND OUTPUT SHAFTS ROTATE IN THE SAME DIRECTION
- AVAILABLE AS A REDUCER OR INCREASER
- UNITS MUST BE STOPPED BEFORE SHIFTING

ONE YEAR LIMITED WARRANTY

