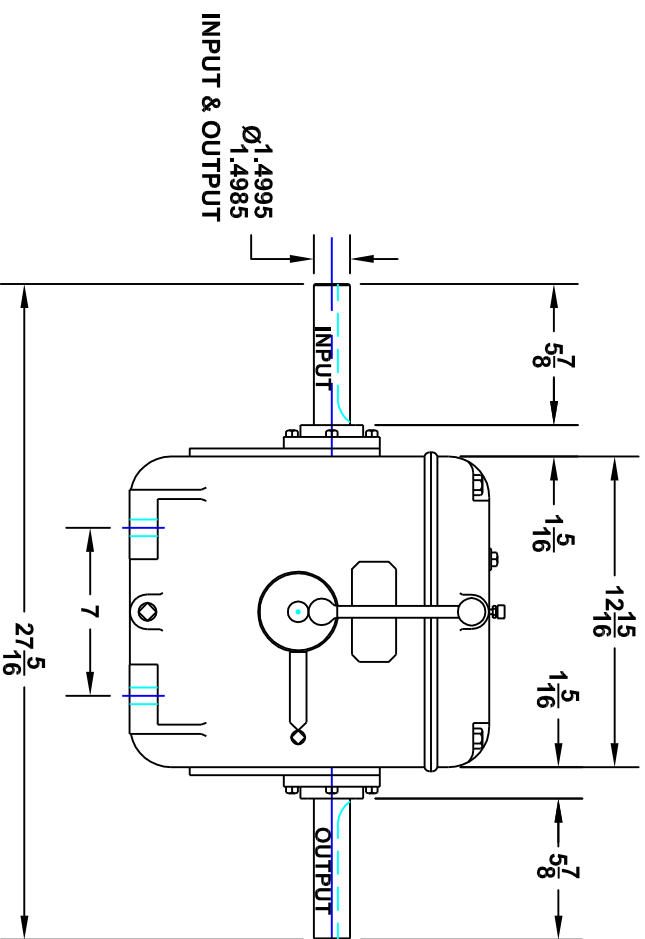
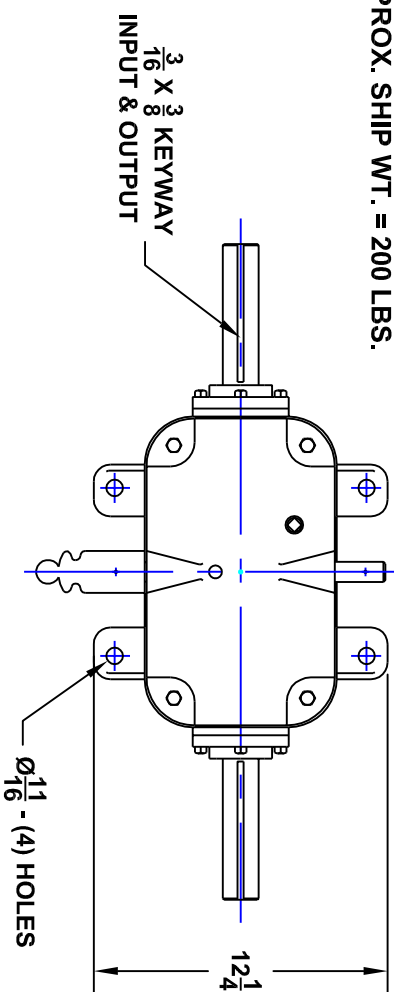


U1000-0944 4-SPEED GEARBOX [MANUAL SHIFT]

30 HP MAXIMUM
1050 IN LBS MAXIMUM INPUT TORQUE
AT 1800 RPM INPUT
SERVICE CLASS ONE
APPROX. SHIP WT. = 200 LBS.



RATIOS			
1.000	2.000	4.000	6.000

CONTACT SALES REPRESENTATIVE @ 800-689-3400
****CUSTOM RATIO & SHAFT DESIGN ARE AVAILABLE****

- OVERHUNG LOAD CAN EFFECT HP RATING
- BI-DIRECTIONAL ROTATION
- INPUT AND OUTPUT SHAFTS ROTATE IN THE SAME DIRECTION
- AVAILABLE AS A REDUCER OR INCREASER
- UNITS MUST BE STOPPED BEFORE SHIFTING

ONE YEAR LIMITED WARRANTY

